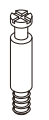
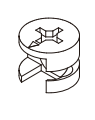

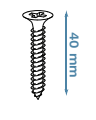

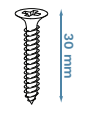
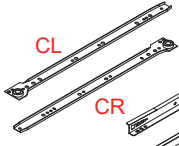
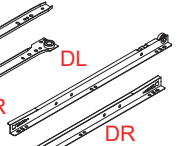




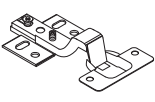

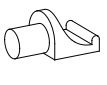


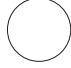






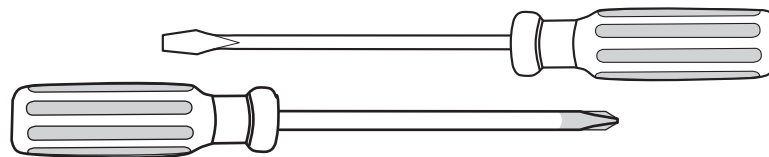
# Aspen Wardrobe

Thank you for your purchase.  
Please follow the instructions below for correct assembly.

<b>A</b>  26 x bolt	<b>B</b>  26 x locking nut	<b>C</b>  24 x dowel	<b>D</b>  24 x long screw	<b>E</b>  10 x small screw	<b>F</b>  11 x medium screw
<b>CL</b>  2 x L+R slide rail	<b>DL</b>  2 x L+R slide rail	<b>I</b>  4 x handle	<b>J</b>  16 x wedge	<b>K</b>  4 x nut	<b>L</b>  4 x long screw
<b>M</b>  6 x hinge	<b>N</b>  36 x small screw	<b>O</b>  12 x shelf plug	<b>P</b>  4 x clothes hanger support	<b>Q</b>  8 x small screw	<b>R</b>  4 x cover

HARDWARE SUPPLIED

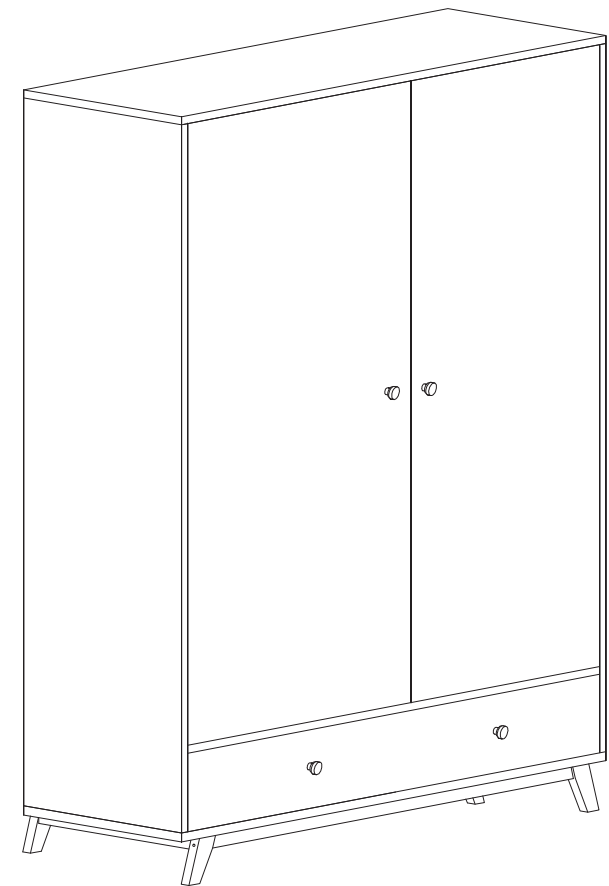
<b>W</b>  2 x safety strap	<b>Y</b>  2 x long screw
<b>X</b>  2 x wall anchor	<b>Z</b>  2 x washer



Phillips & Flathead screwdrivers and hammer required

\*We recommend using a Flathead screwdriver to tighten all locking nuts 100% before first use.

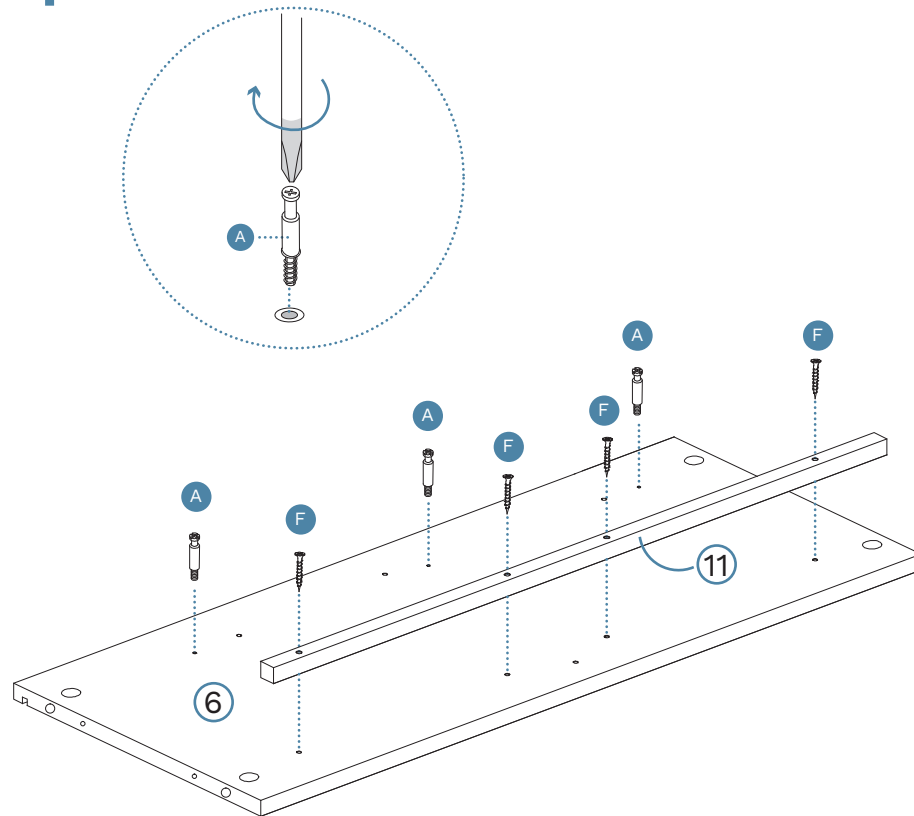
**WARNING:** Any furniture that is not anchored to a wall has the potential to tip over in certain circumstances, i.e. if a child attempts to climb up on the furniture or in the event of an earthquake. Accordingly, we recommend that all furniture is anchored to a wall. We supply a free safety wall anchor with all furniture sold and we recommend these are used to prevent your product tipping. The fixing device provided should fit most wall types, but please note that different wall materials may require different fixing devices from those supplied.



**Mocka.**

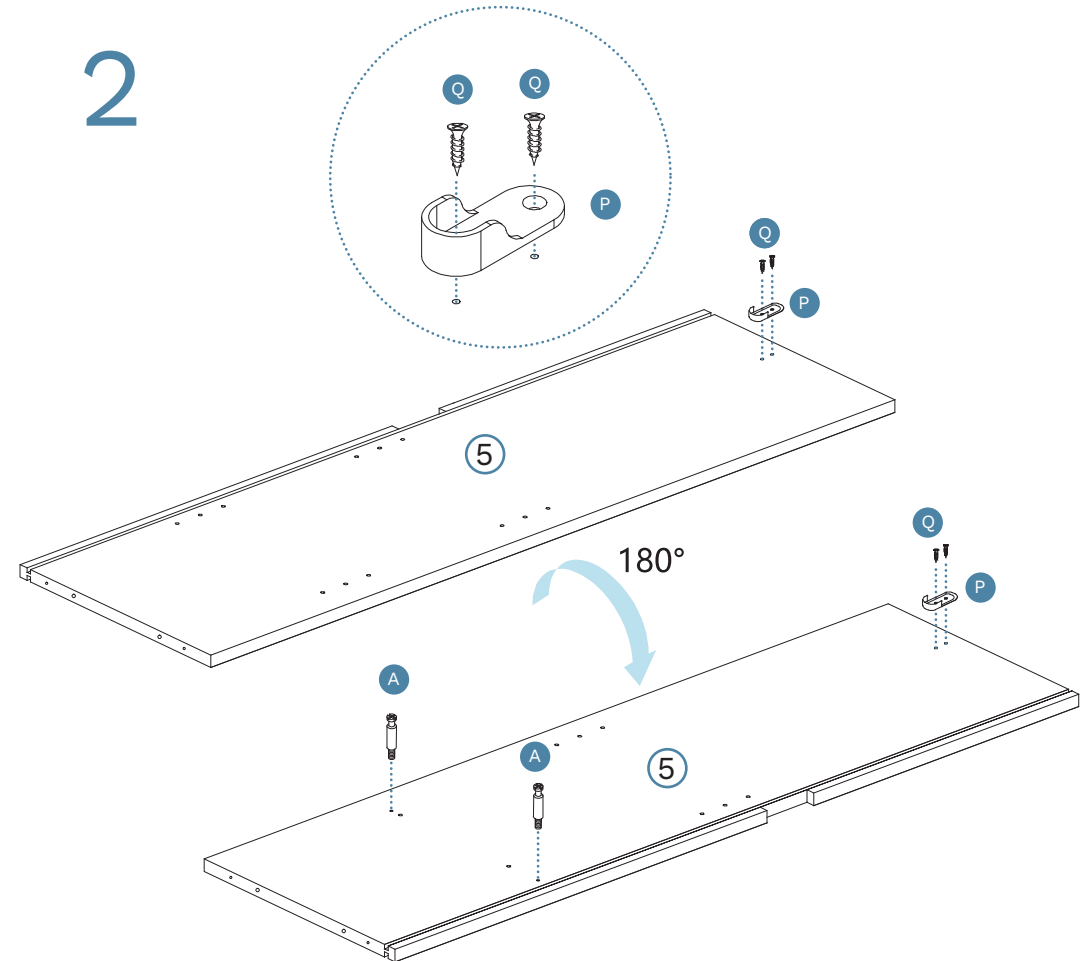
# Aspen Wardrobe

1



Insert 3 x bolts (A) into panel [6]. Attach panel [11] to panel [6] with 4 x medium screws (F). Tighten with a screwdriver.

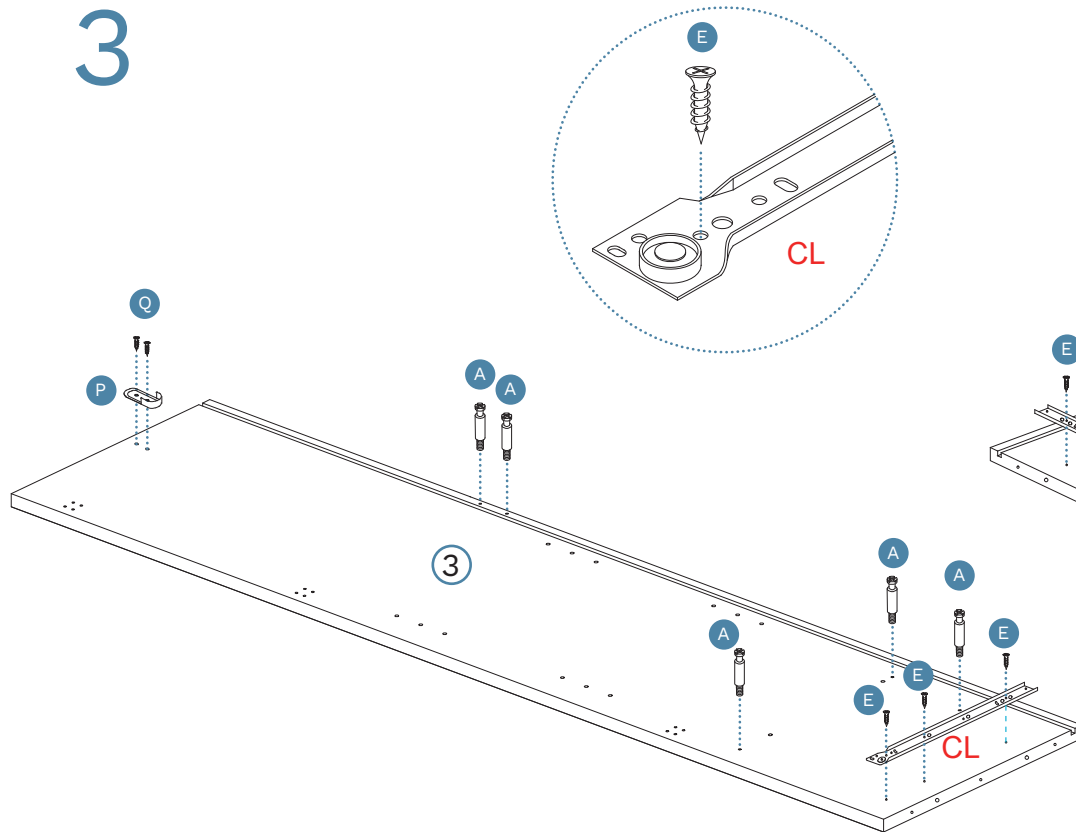
2



Insert 2 x bolts (A) into panel [5]. Attach 4 x small screws (Q) to panel [5] using 2 x clothes hanger supports (P). Tighten with a screwdriver.

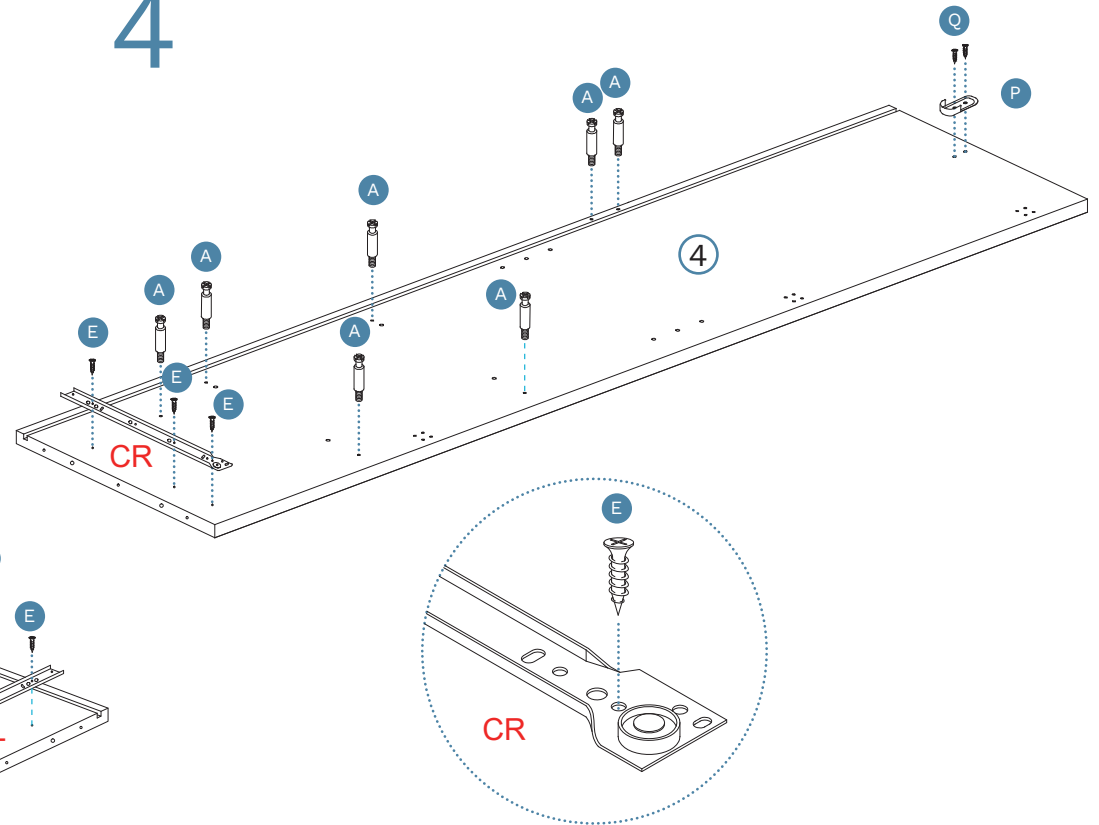
# Aspen Wardrobe

3



Attach 1 x left slide rail (CL) to panel [3] and secure with 3 x small screws (E). Insert 5 x bolts (A) into panel [3]. Attach 1 x clothes hager support (P) to panels [3] with 2 x small screws (Q). Tighten with a screwdriver.

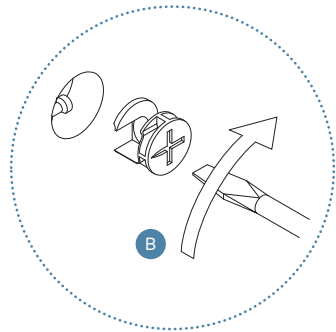
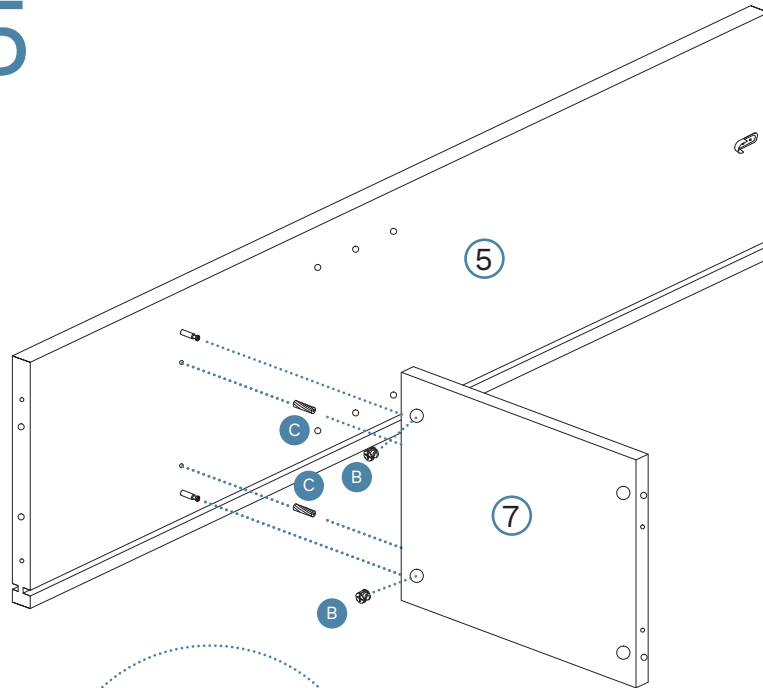
4



Attach 1 x right slide rail (CR) to panel [4] and secure with 3 x small screws (E). Insert 7 x bolts (A) into panel [4]. Attach 1 x clothes hager support (P) to panels [4] with 2 x small screws (Q). Tighten with a screwdriver.

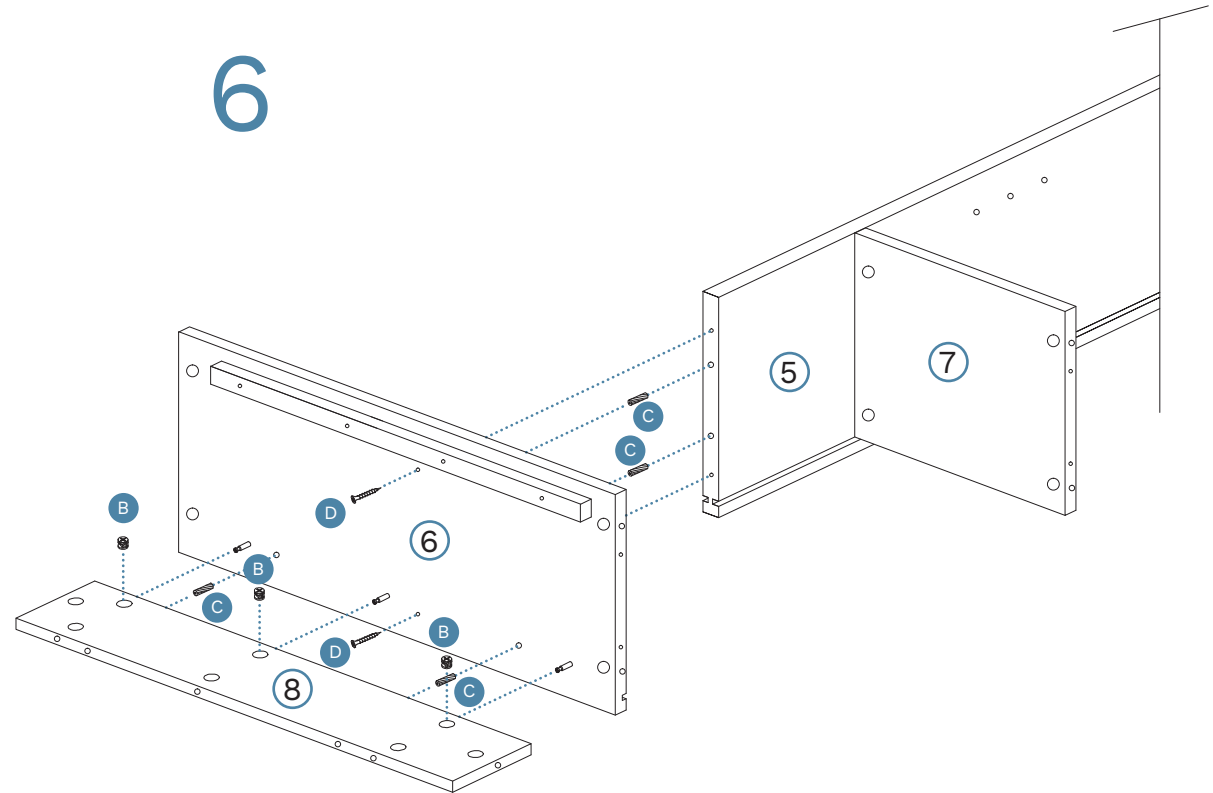
# Aspen Wardrobe

5



Insert 2 x dowels (C) into panel [7]. Attach panel [7] to panel [5] and secure with 2 x locking nuts (B). Tighten with a screwdriver.

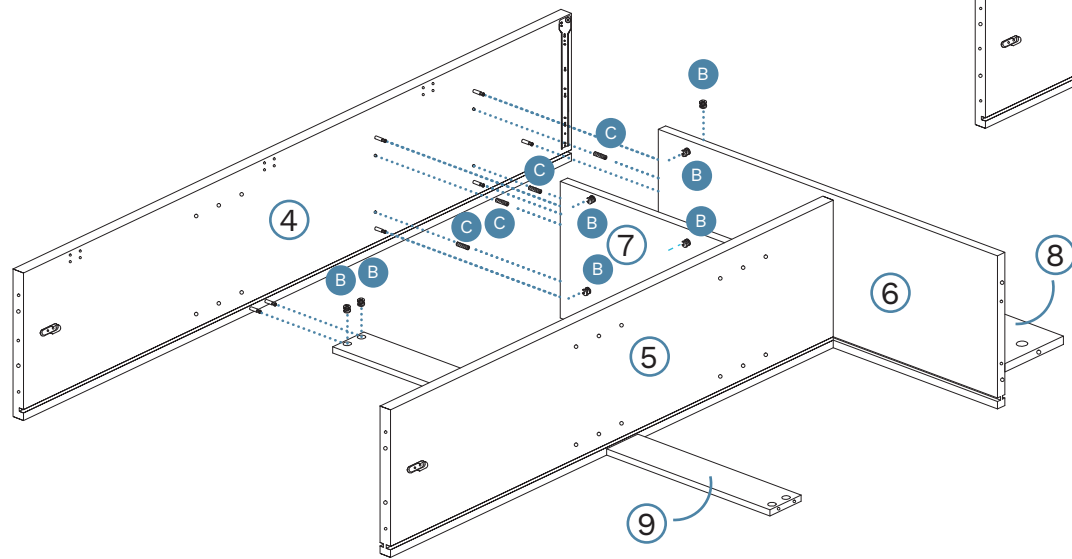
6



Insert 4 x dowels (C) into panels [5] and [8]. Attach panel [8] to panel [6] and secure with 3 x locking nuts (B). Attach panel [5] to panel [6] and secure with 2 x long screws (D). Tighten with a screwdriver.

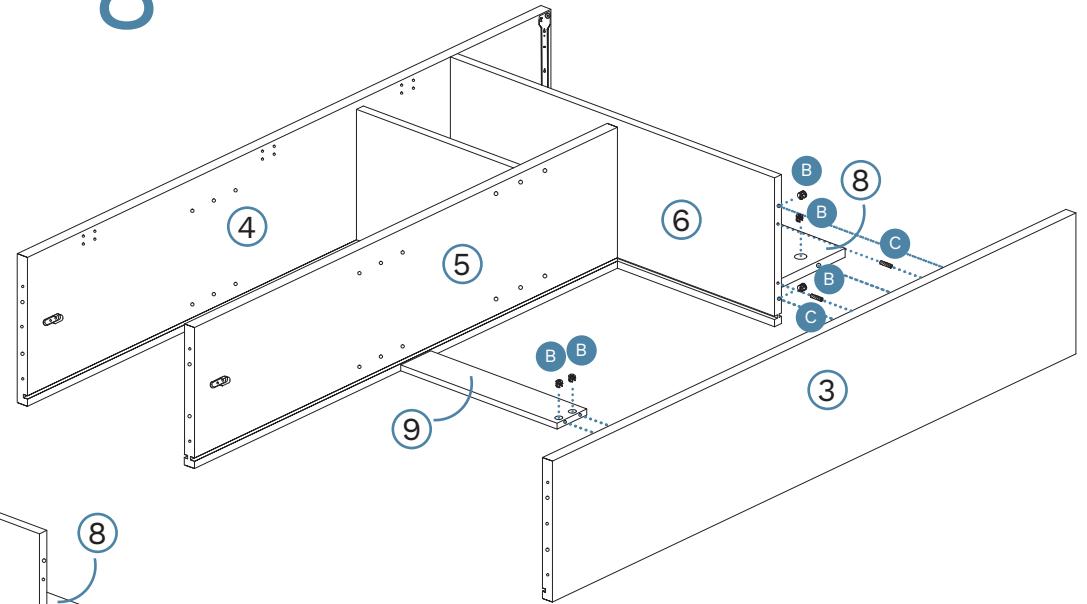
# Aspen Wardrobe

7



Insert 4 x dowels (C) into panels [6] and [7]. Attach panels [6], [7], [8] and [9] to panel [4] and secure with 7 x locking nuts (B). Tighten with a screwdriver.

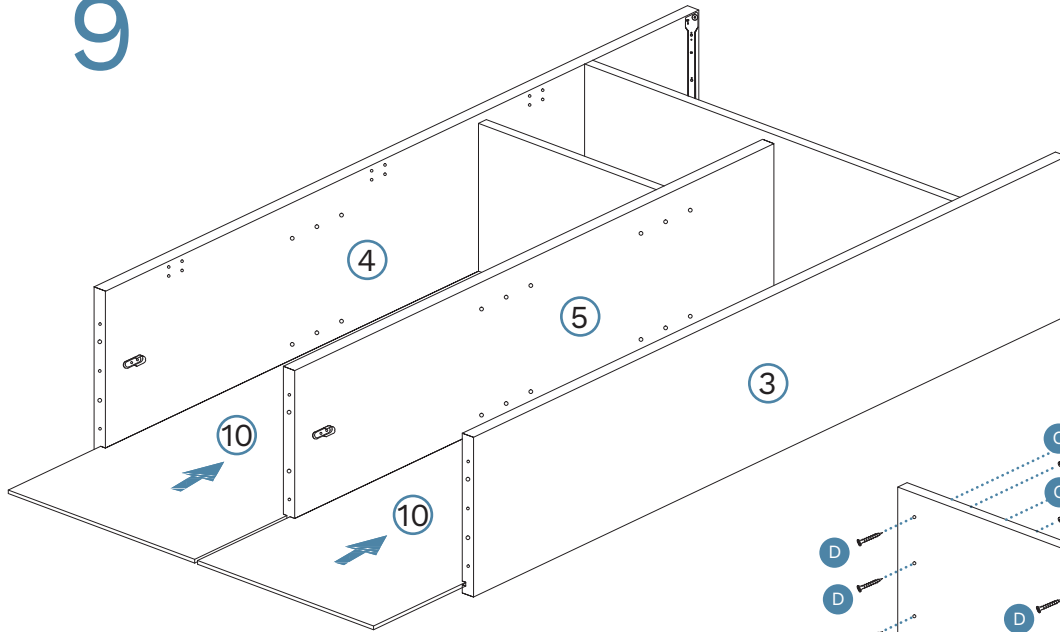
8



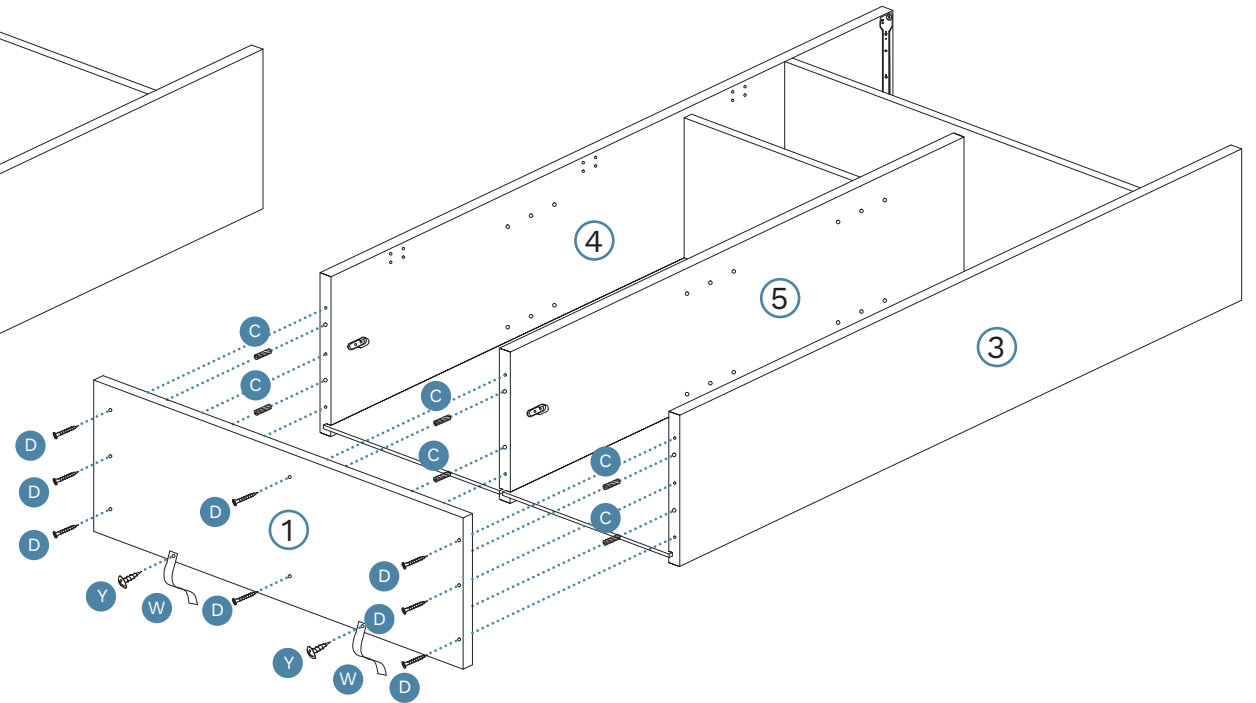
Insert 2 x dowels (C) into panels [6]. Attach panels [6], [8] and [9] to panel [3] and secure with 5 x locking nuts (B). Tighten with a screwdriver.

# Aspen Wardrobe

9



10

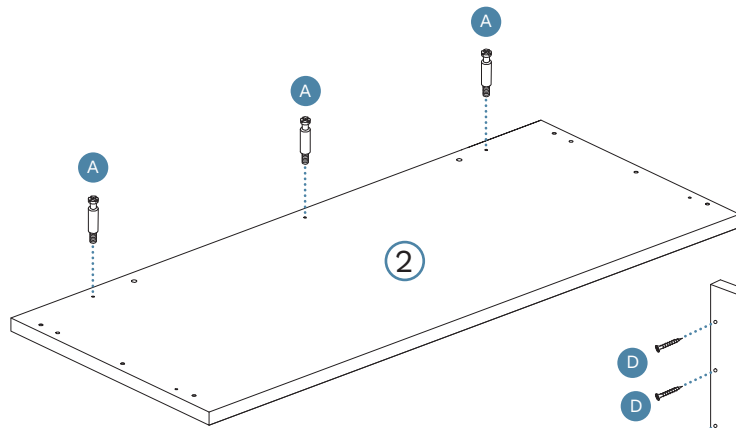


Slide panels [10] between the grooves on panels [3], [4] and [5] to form the back of the unit as shown.

Insert 6 x dowels (C) into panels [3], [4] and [5]. Attach panels [3], [4] and [5] to panel [1] and secure with 8 x long screws (D). Attach 2 x wall straps (W) to panel [1] using 2 x screws (Y). Tighten with a screwdriver.

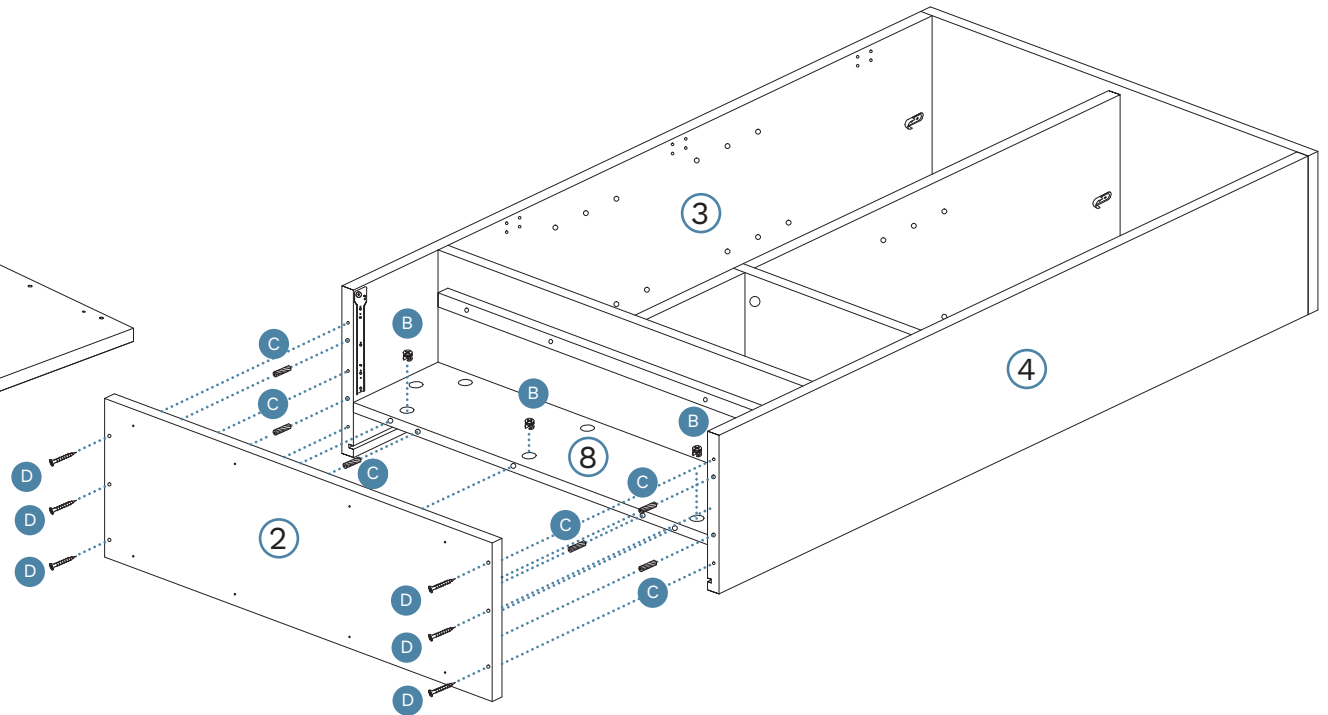
# Aspen Wardrobe

11



Insert 3 x bolts (A) into panel [2]. Tighten with a screwdriver.

12

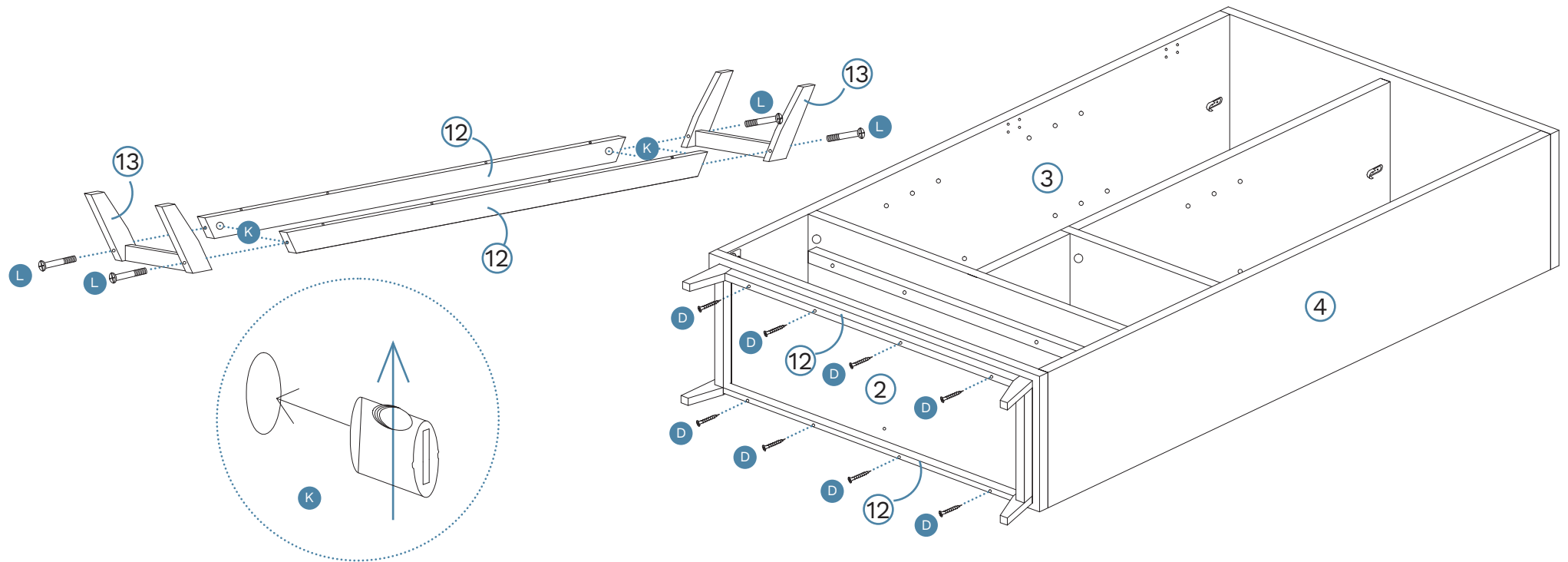


Insert 6 x dowels (C) into panels [3], [4] and [8]. Attach panels [2] to panel [3], [4] and [8] and secure with 6 x long screws (D) and 3 x locking nuts (B). Tighten with a screwdriver.

# Aspen Wardrobe

13

14



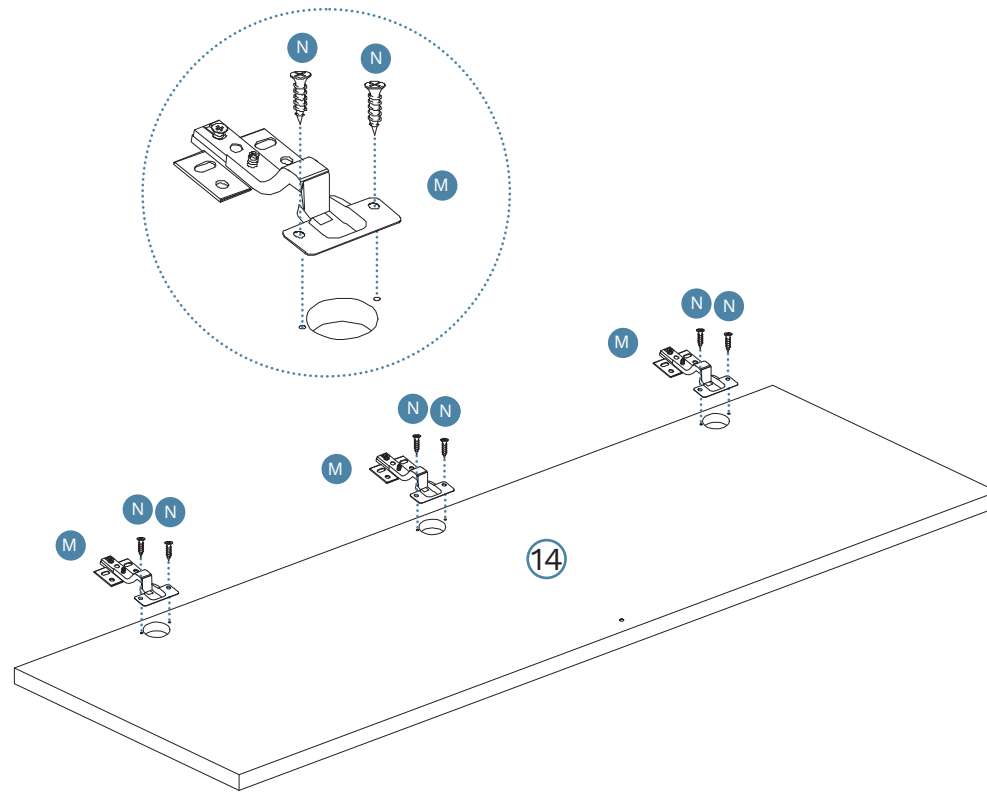
Insert 4 x nuts (K) into panels [12]. Attach panels [13] to panels [12] and secure with 4 x screws (L). Tighten with a screwdriver.

Attach panels [12] to panel [2] and secure with 8 x long screws (D). Tighten with a screwdriver.



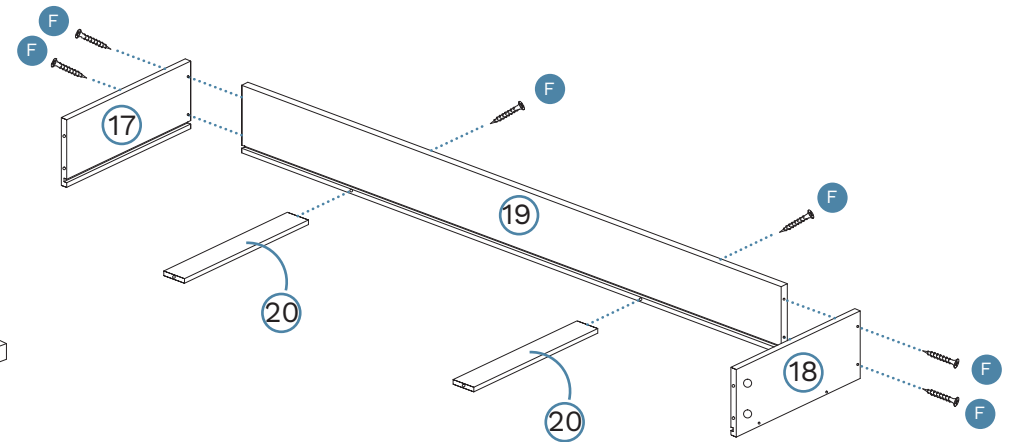
# Aspen Wardrobe

## 15 Door x 2



Attach 6 x hinges (M) to panels [14] and secure with 12 x small screws (N). Tighten with a screwdriver.

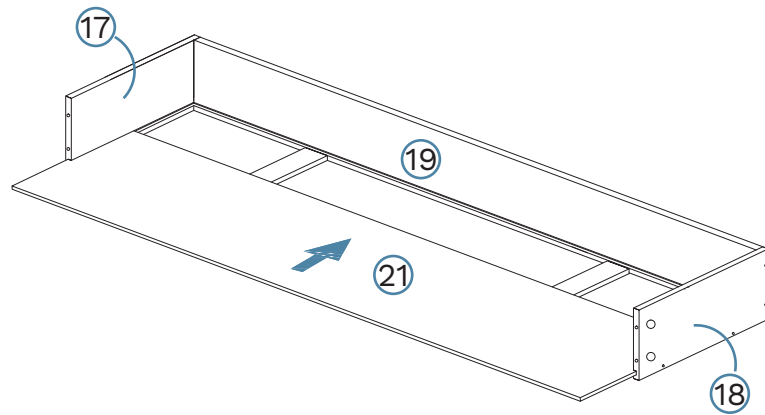
## 16



Attach panels [17], [18] and [20] to panel [19], secure with 6 x medium screws (F). Tighten with a screwdriver.

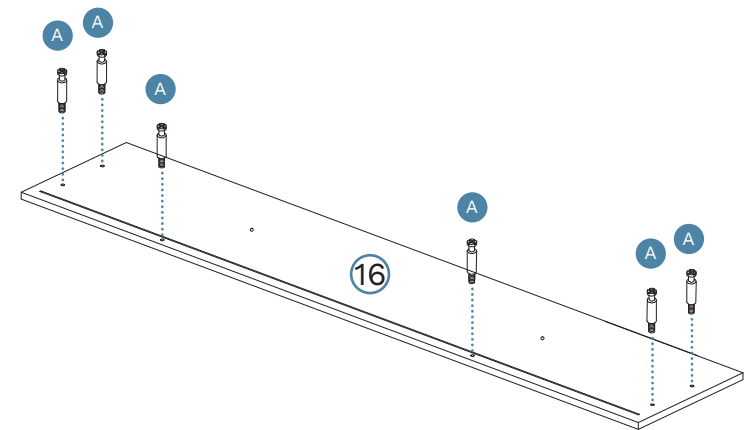
# Aspen Wardrobe

17



Slide panels [21] between the grooves on panels [17], [18] and [19] to form the base of the drawer as show.

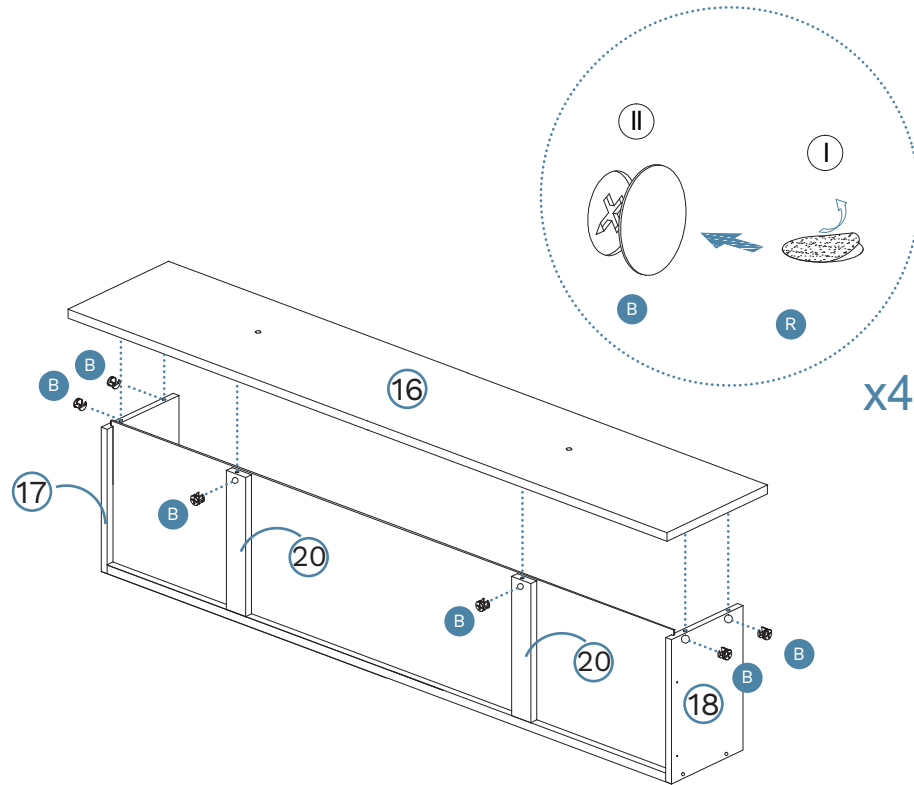
18



Insert 6 x bolts (A) into panels [16]. Tighten with a screwdriver.

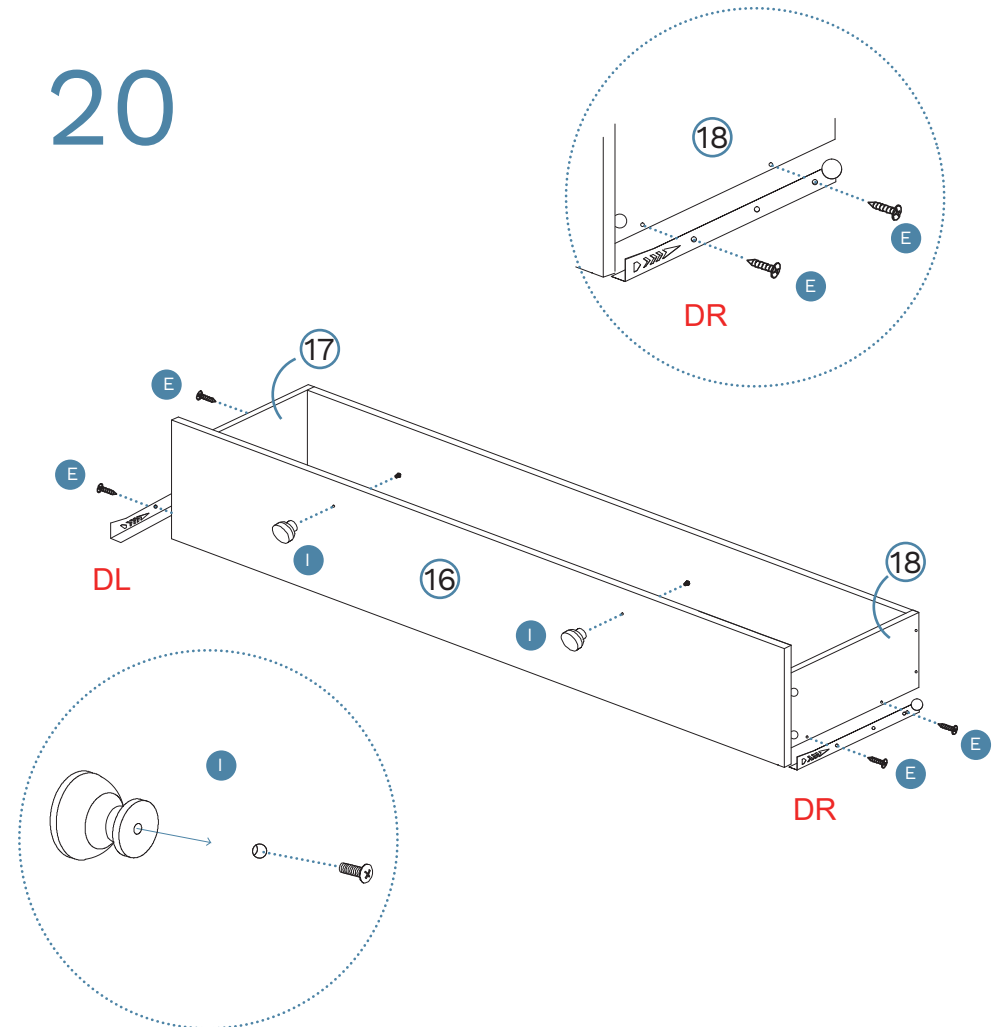
# Aspen Wardrobe

19



Attach panels [17], [18] and [20] to panels [16], secure with 6 x locking nuts (B). Cover locking nuts (B) with 4 x covers (R). Tighten with a screwdriver.

20

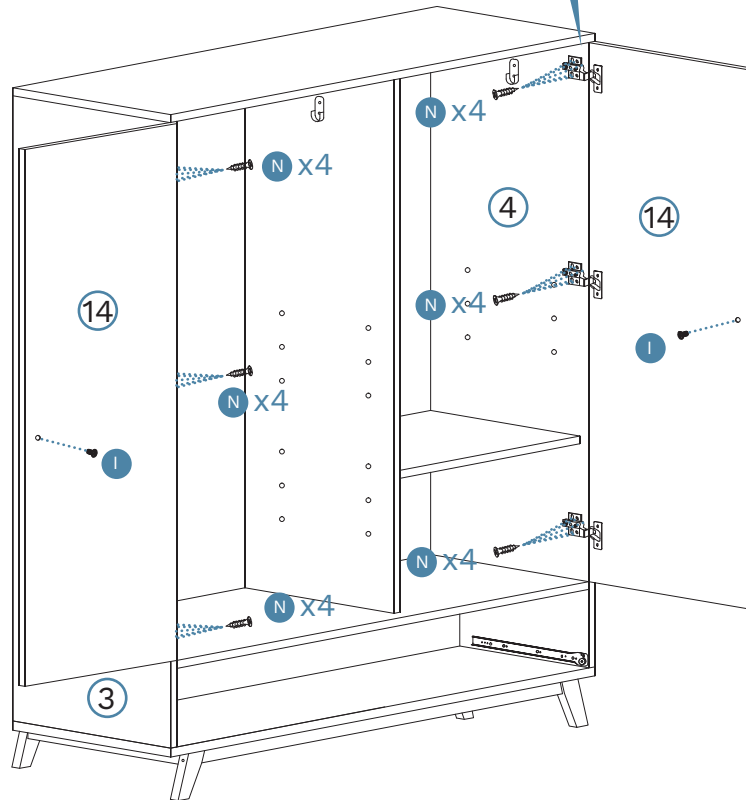
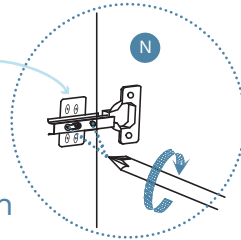


Attach 2 x slide rails (DL) and (DR) to panels [17] and [18], secure with 4 x small screws (E). Insert 2 x handles (I) into panel [16]. Tighten with a screwdriver.

# Aspen Wardrobe

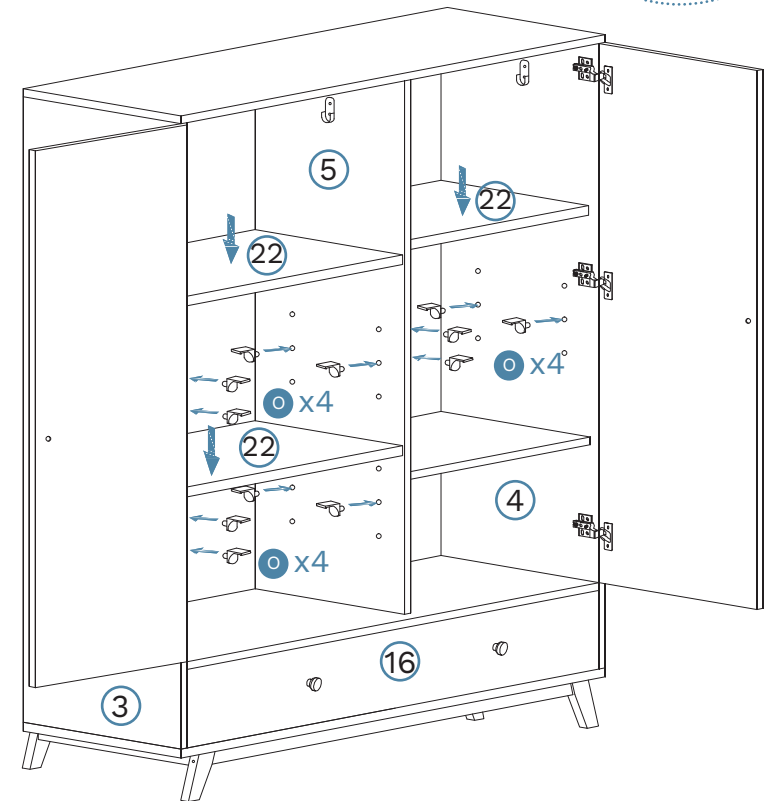
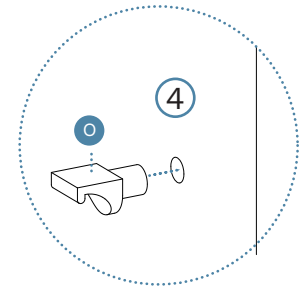
21

NOTE: If the doors are uneven or there is a gap in the middle, loosen or tighten the screw on the hinge until they are sitting flush.



Attach panels [14] to panels as shown. Secure with 24 x screws (N). Insert 2 x handles (I) into panel [14]. Tighten with a screwdriver.

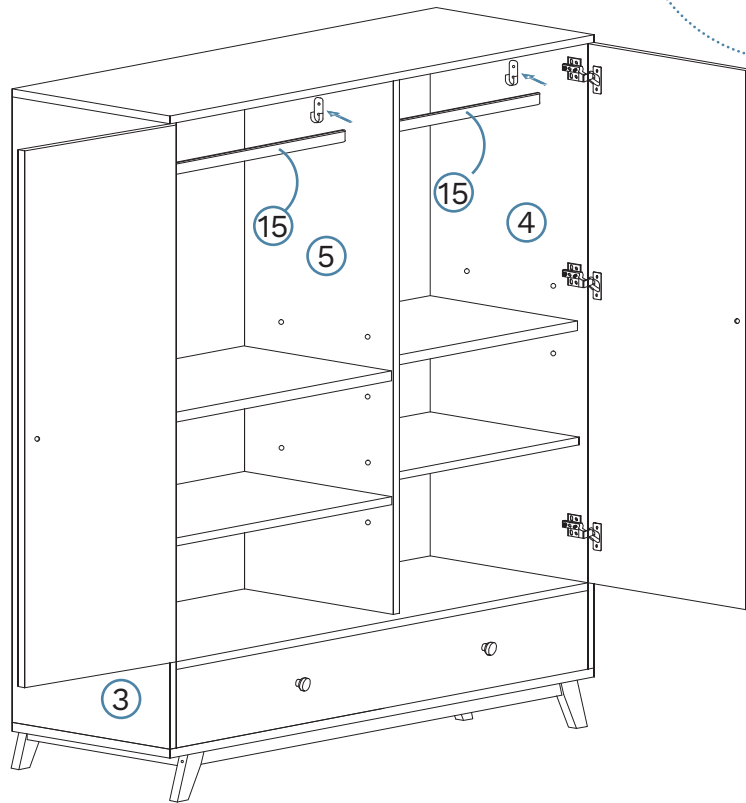
22



Attach 12 x shelf plugs (O) to panels [3], [4] and [5]. Attached panels [22] to panels [3], [4] and [5] as shown.

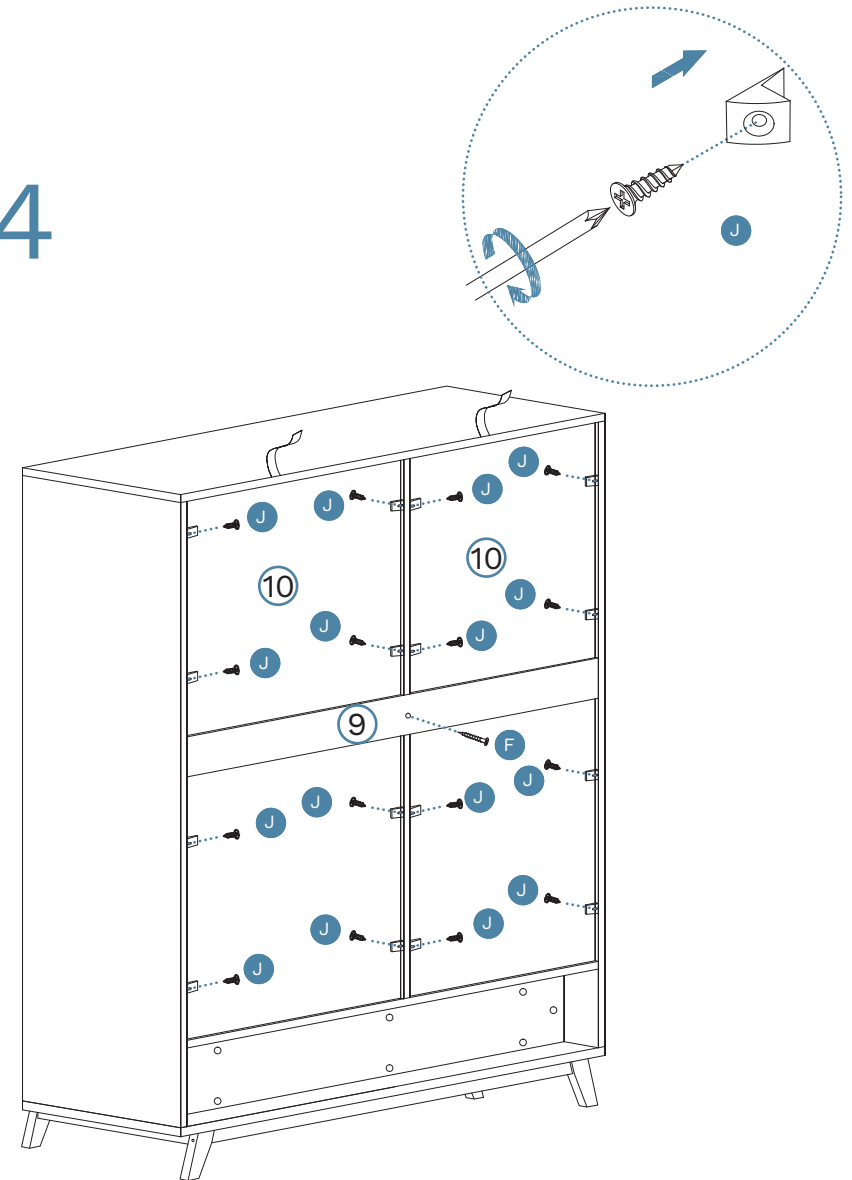
# Aspen Wardrobe

23



Attached panels [15] to clothes hager supports (P) as shown.

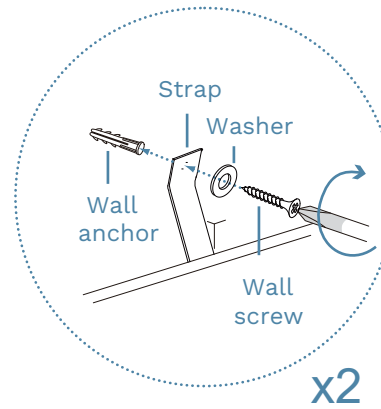
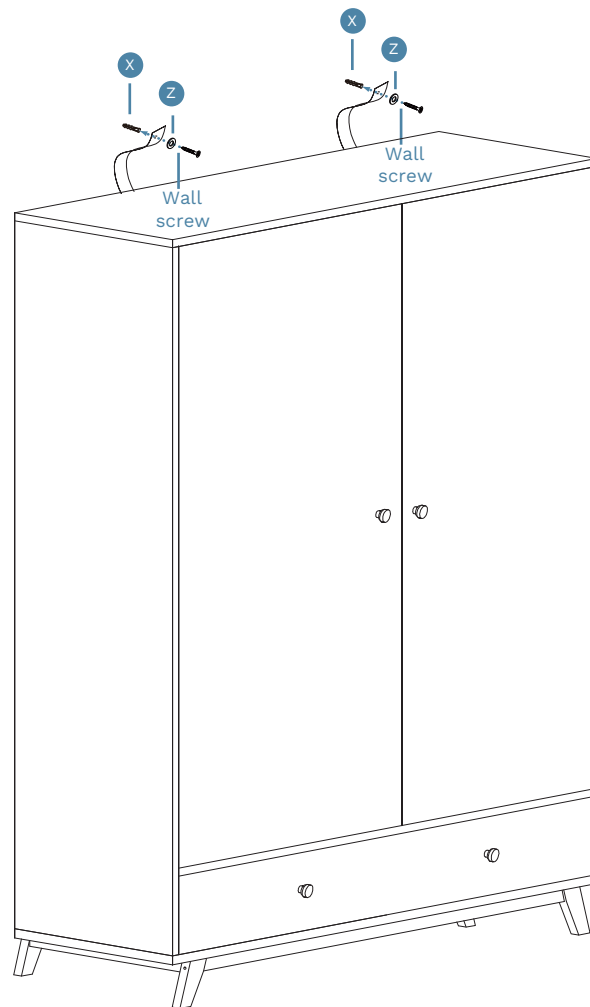
24



Insert 16 x wedges (J) to panels [10]. Attach 1 x medium screw (F) into panels [5] and [9]. Tighten with a screwdriver.

# Aspen Wardrobe

## 25



Once assembled lift furniture into place, do not drag. Use a drill to create a small hole lining up with the top of the safety strap (W). Fasten to wall using wall anchor (X), washer (Z) and screw. Ensure the unit is balanced and steady before use. You're done, enjoy!